



215 EAST ROOSEVELT AVE.  
ZEELAND, MI 49464

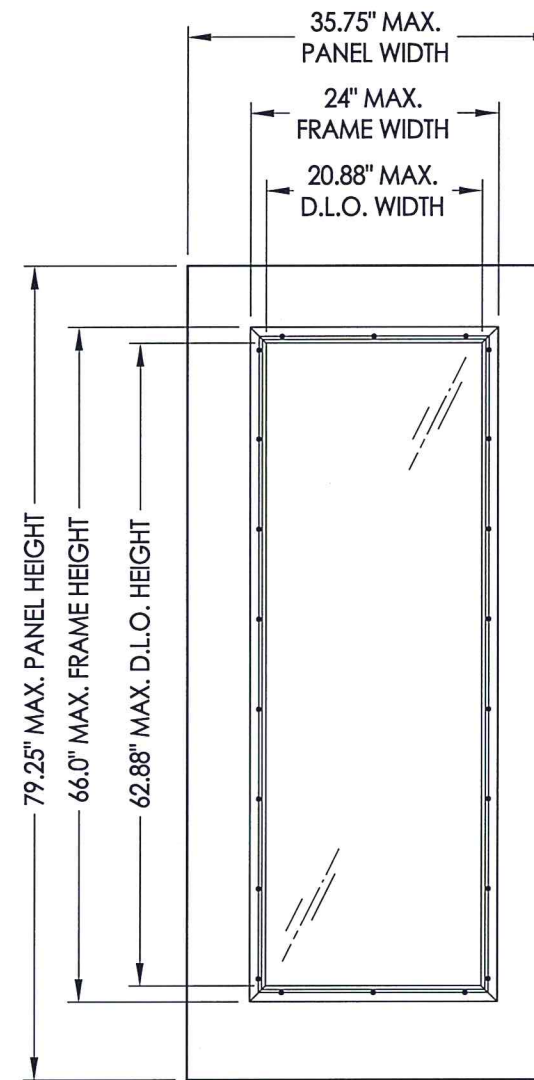
## ODL / WESTERN REFLECTIONS

### Evolve Lite Frame System DOORGLASS ASSEMBLY FOR GLAZING UP TO A 3'0" x 8'0" SINGLE PANEL "NON-IMPACT"

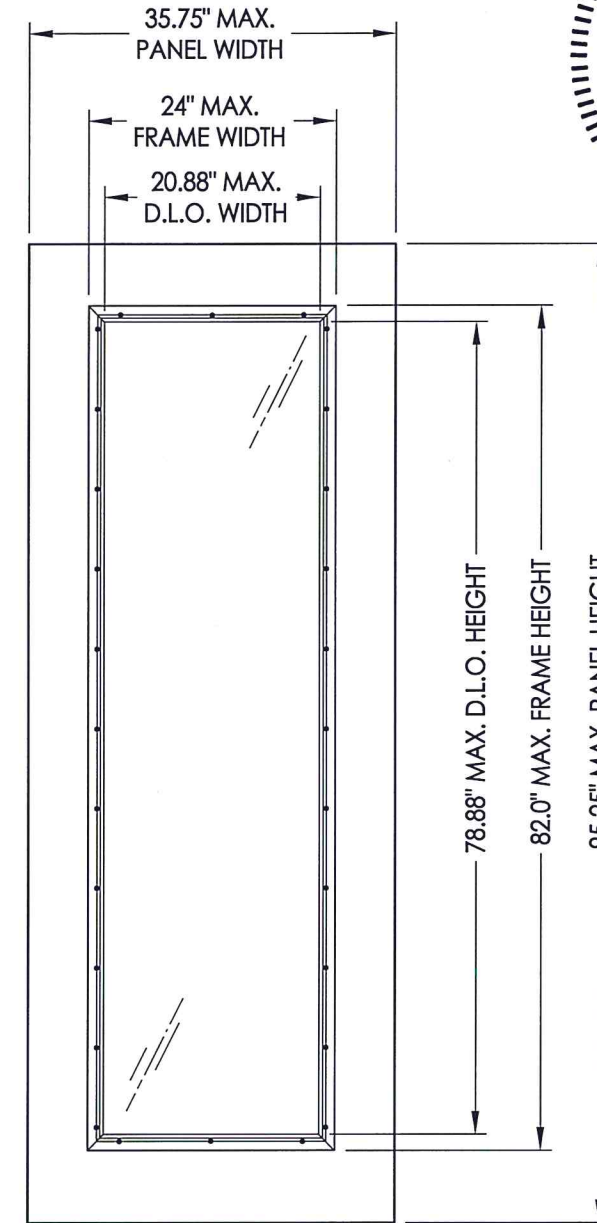
#### GENERAL NOTES

1. This product has been evaluated and is in compliance with the 7th Edition (2020) Florida Building Code (FBC) structural requirements excluding the High Velocity Hurricane Zone (HVHZ).
2. When used in areas requiring wind borne debris protection this product is required to be protected with an impact resistant covering that complies with FBC Sections 1609.1.2 & R301.2.1.2.
3. This product is approved for use as a substitute doorglass assembly in conjunction with a glazed steel or fiberglass side hinged swing door possessing a comparable current Florida Statewide product approval.
4. The design pressure (DP) rating shall be the lesser of the DP rating shown on Sheet 1 of this approval or the DP rating shown in the glazed steel or fiberglass side hinged swing door approval being used.
5. The door panel and lite opening size shall not exceed the sizes shown in this approval or the glazed steel or fiberglass side hinged swing door approval being used.
6. This product is approved for use in the door panels as specified on Sheets 3 & 4 of this approval. Substitution into a similar product may be approved for use by the local Authority Having Jurisdiction. In all cases, the glazed steel or fiberglass door used must possess a comparable current Florida Statewide product approval.

TABLE OF CONTENTS	
SHEET #	DESCRIPTION
1	Typical elevations, design pressures and general notes
2	Frame & glazing details & bill of materials
3	Fiberglass door panels
4	Steel door panels



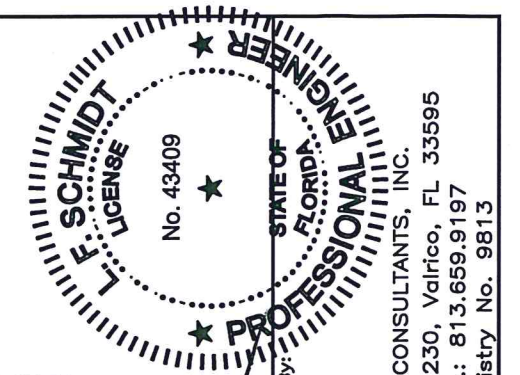
6'-8" DOOR/SIDELITE PANEL



8'-0" DOOR/SIDELITE PANEL

MAX DESIGN PRESSURE RATINGS (PSF)*		
DOOR TYPE	POSITIVE	NEGATIVE
6'-8" STEEL	+60.0	-60.0
6'-8" FIBERGLASS	+65.0	-65.0
8'-0" STEEL	+60.0	-60.0
8'-0" FIBERGLASS	+65.0	-65.0

\*SEE SHEETS 3 & 4 FOR DOOR PANEL DESIGN PRESSURE RATING LIMITATIONS

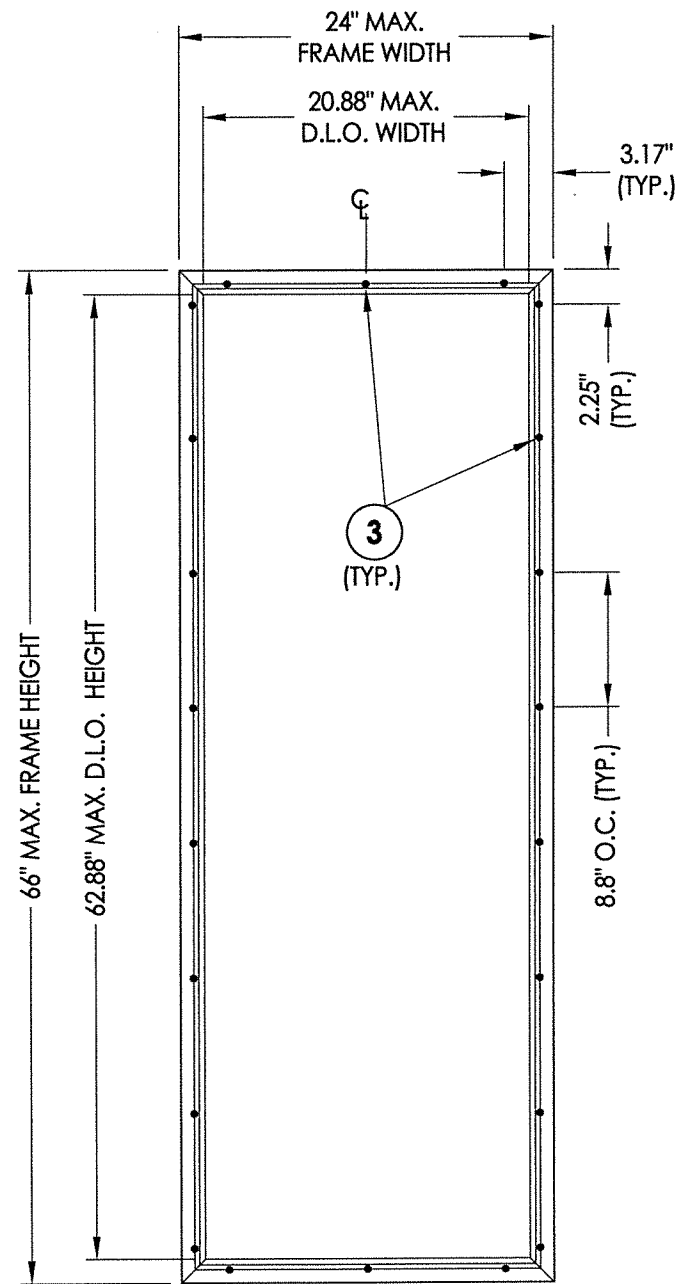


*Lyndon F. Schmidt*  
August 07, 2020  
Documents Prepared By:  
Lyndon F. Schmidt  
P.E. No. 43409

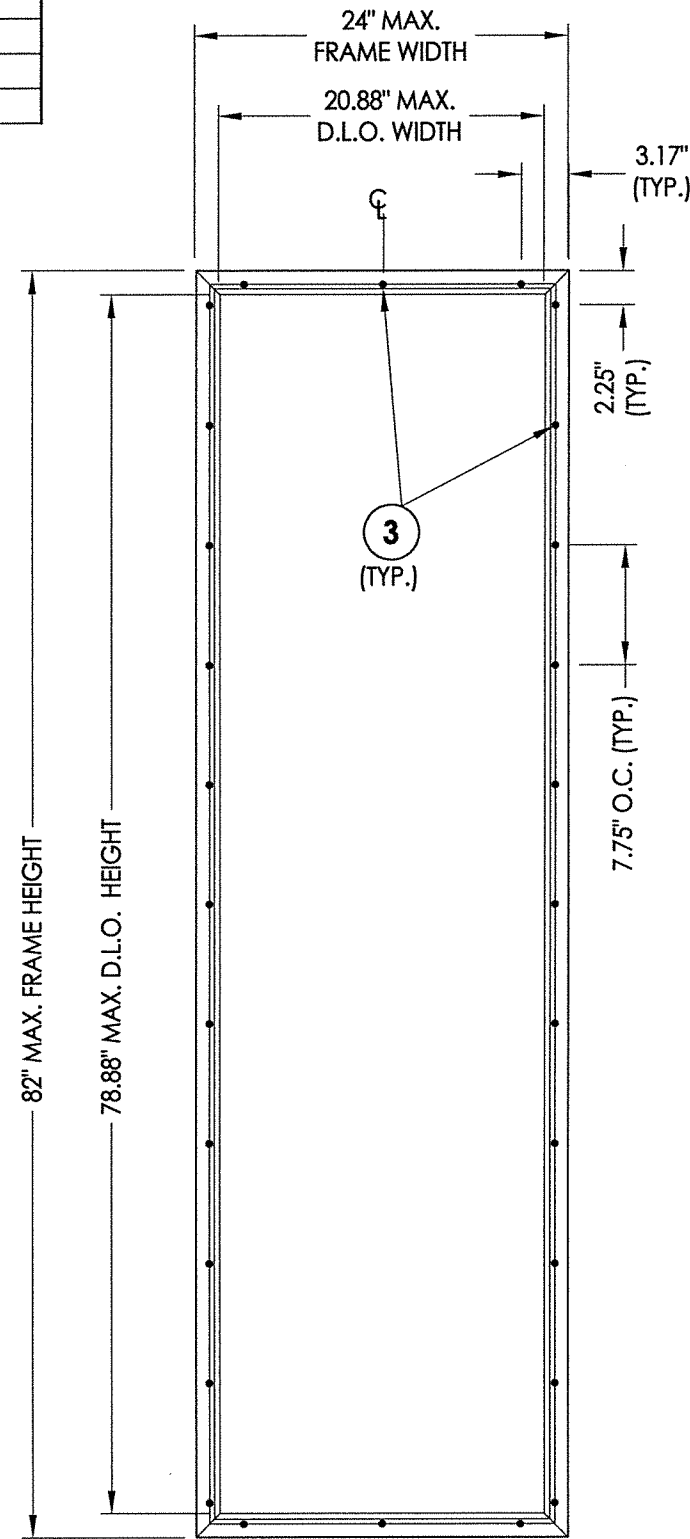
RW BUILDING CONSULTANTS, INC.  
P.O. Box 230, Valrico, FL 33595  
Phone No.: 813.659.9197  
FBPE Registry No. 9813

PRODUCT:	EVOLVE LITE FRAME SYSTEM
PART OR ASSEMBLY:	TYPICAL ELEVATIONS, DESIGN PRESSURES & GENERAL NOTES
DATE:	4/15/13
SCALE:	N.T.S.
DWG. BY:	JK
CHK. BY:	LFS
DRAWING NO.:	FL-15260.8
SHEET	1 OF 4

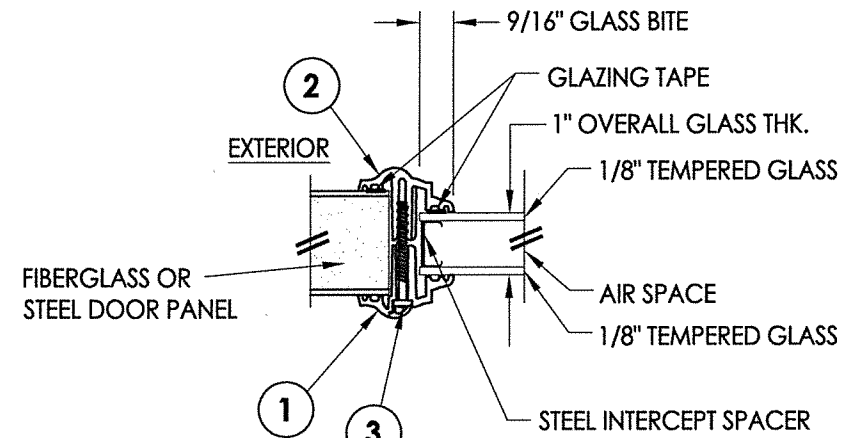
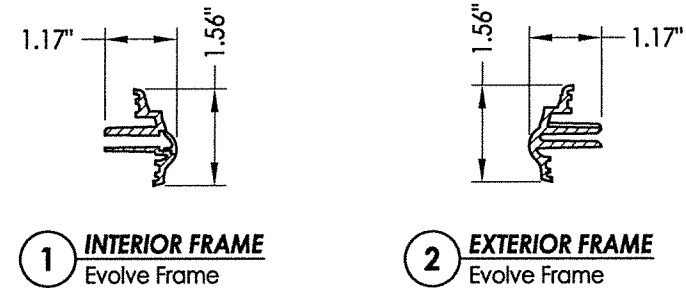
BILL OF MATERIALS		
ITEM #	DESCRIPTION	MATERIAL
1	INTERIOR FRAME (EVOLVE)	HP-POLYPRO
2	EXTERIOR FRAME (EVOLVE)	HP-POLYPRO
3	#8 X 1-1/2" PPH SMS (HI-LO THREAD)	STEEL



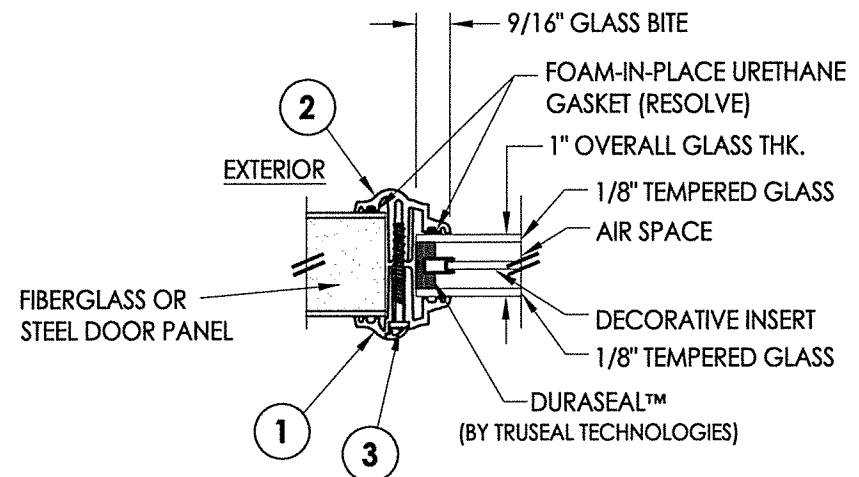
EVOLVE FRAME SYSTEM  
HP Polypropylene  
6'-8" DOOR



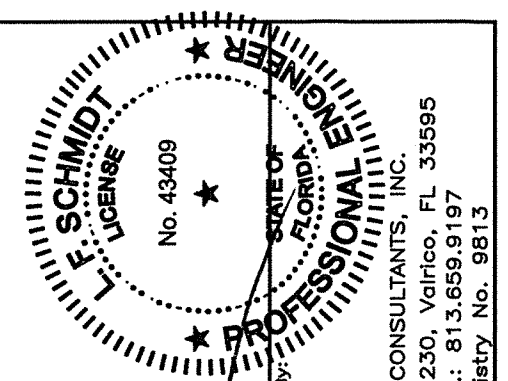
EVOLVE FRAME SYSTEM  
HP Polypropylene  
8'-0" DOOR



**G1** GLAZING DETAIL  
EVOLVE FRAME (1" INSULATED GLASS)  
TAPE GLAZING



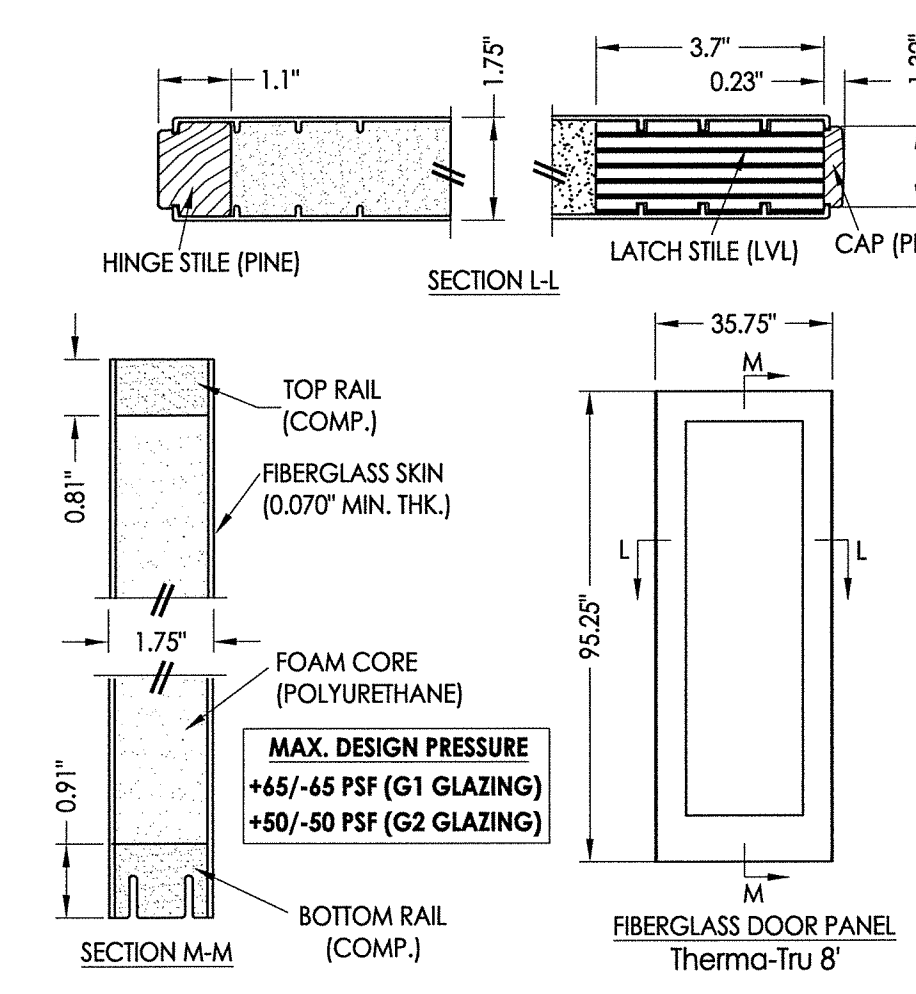
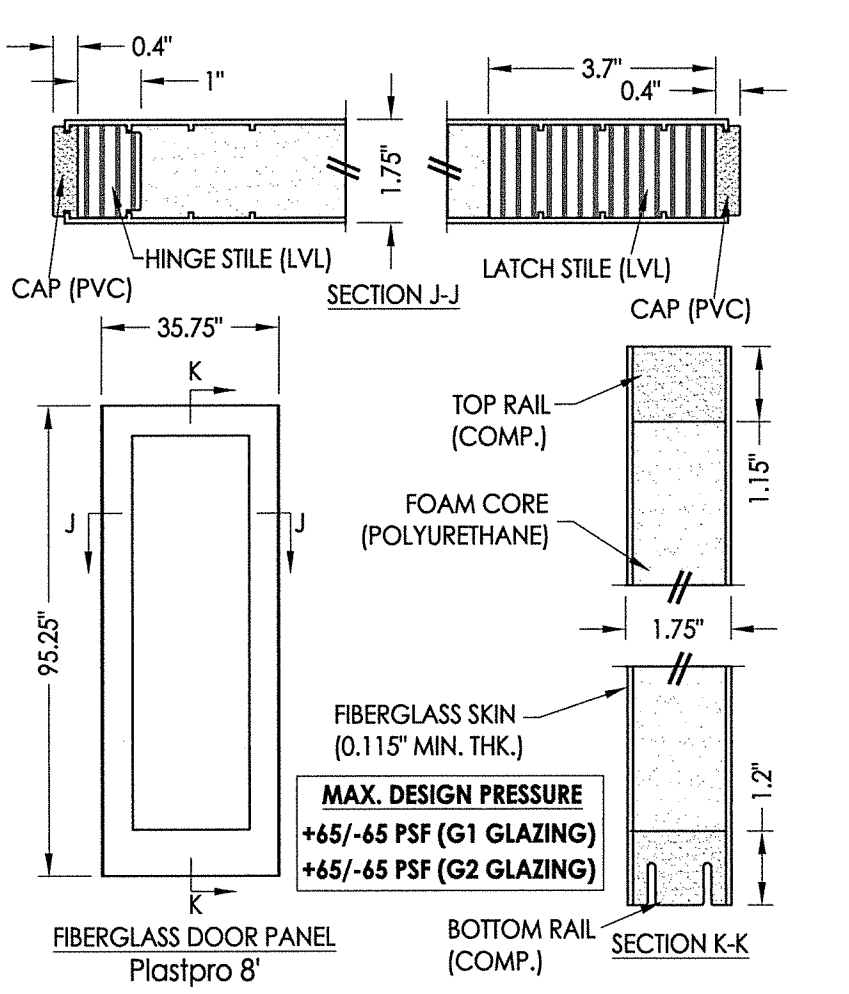
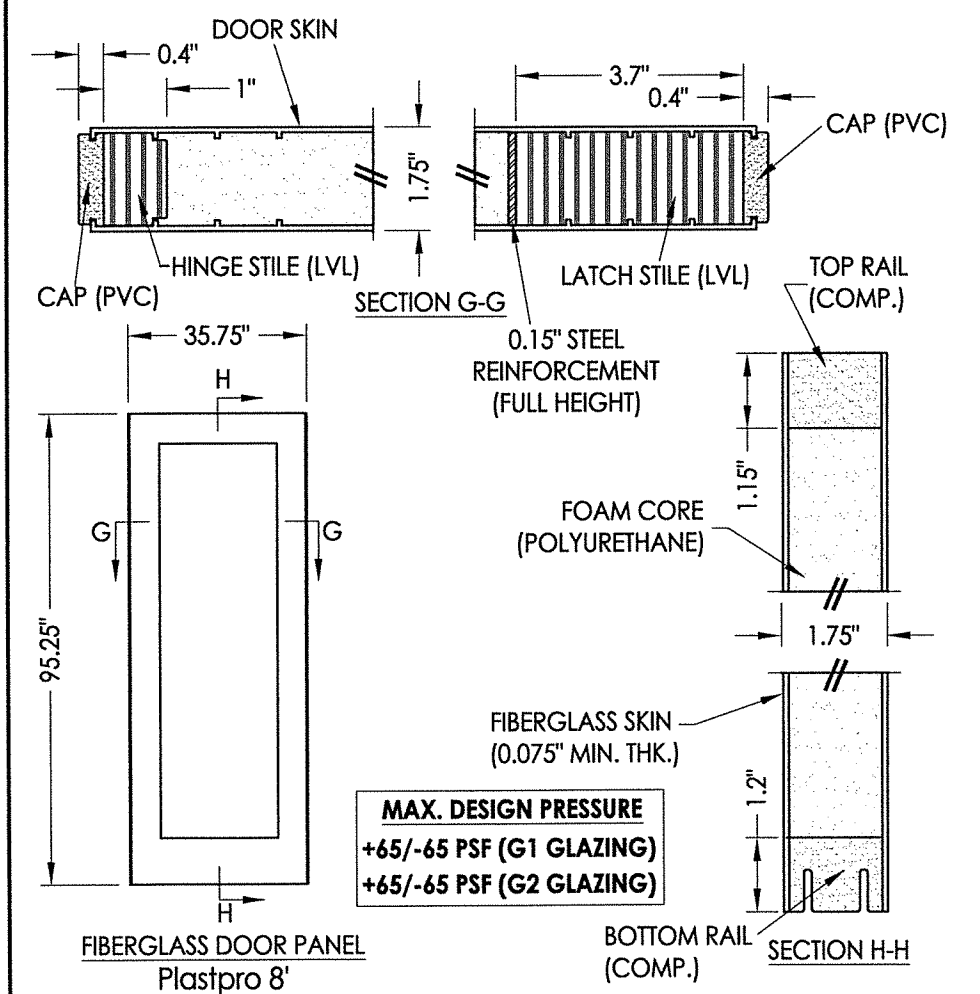
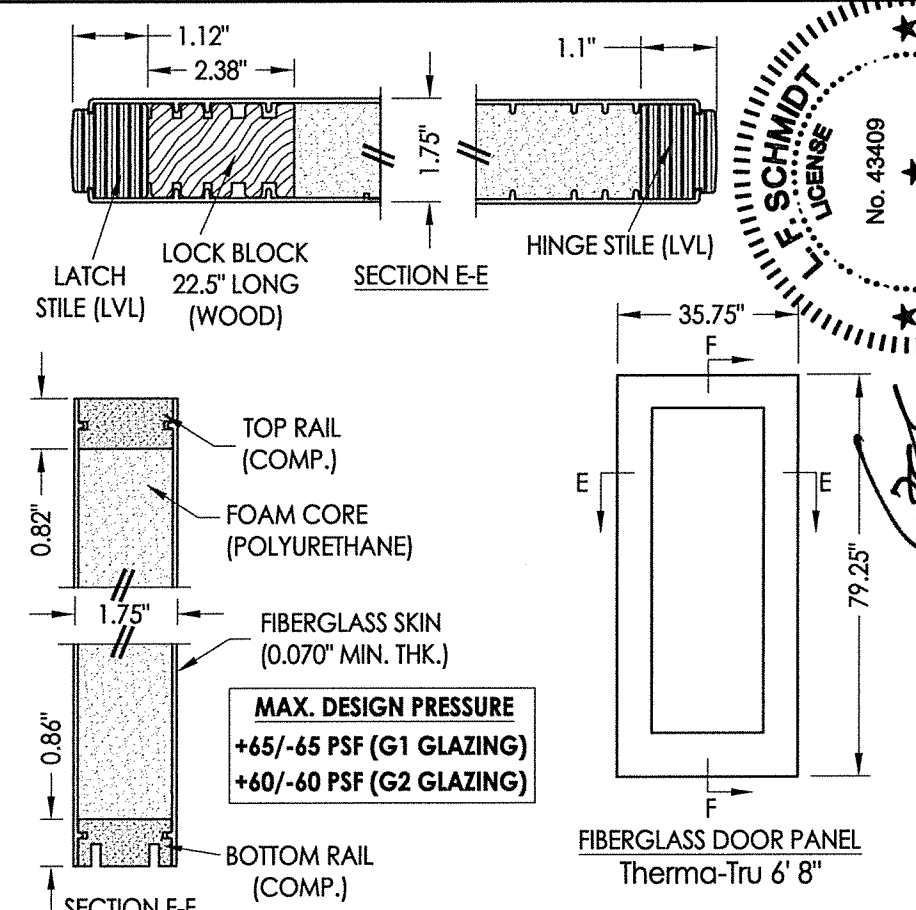
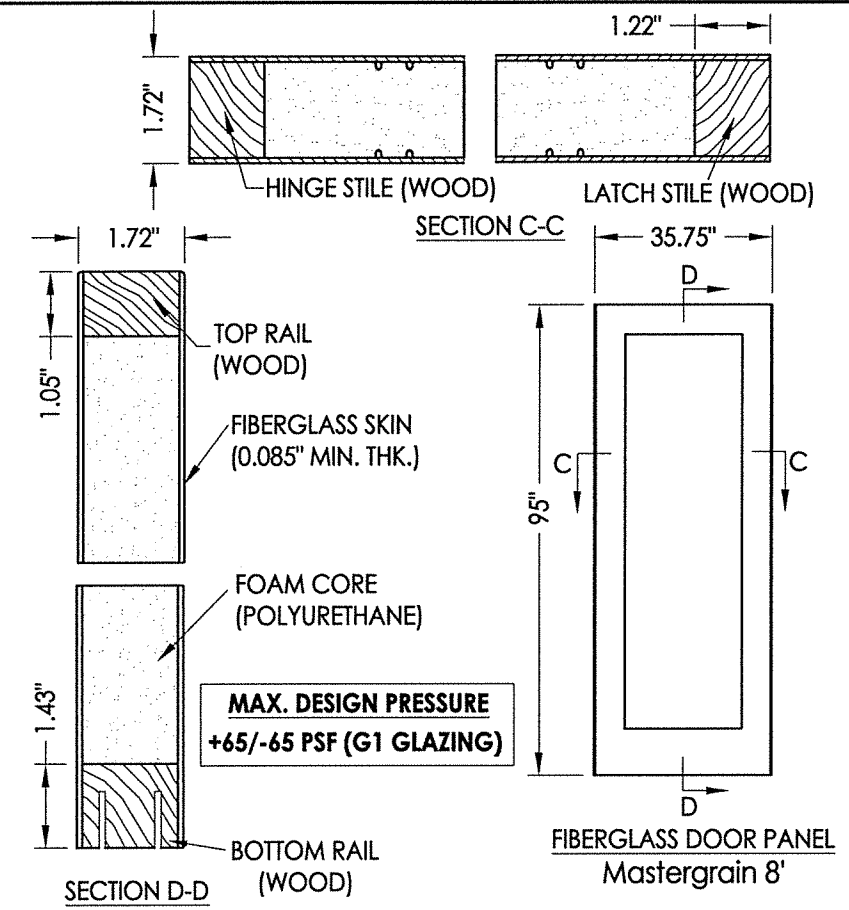
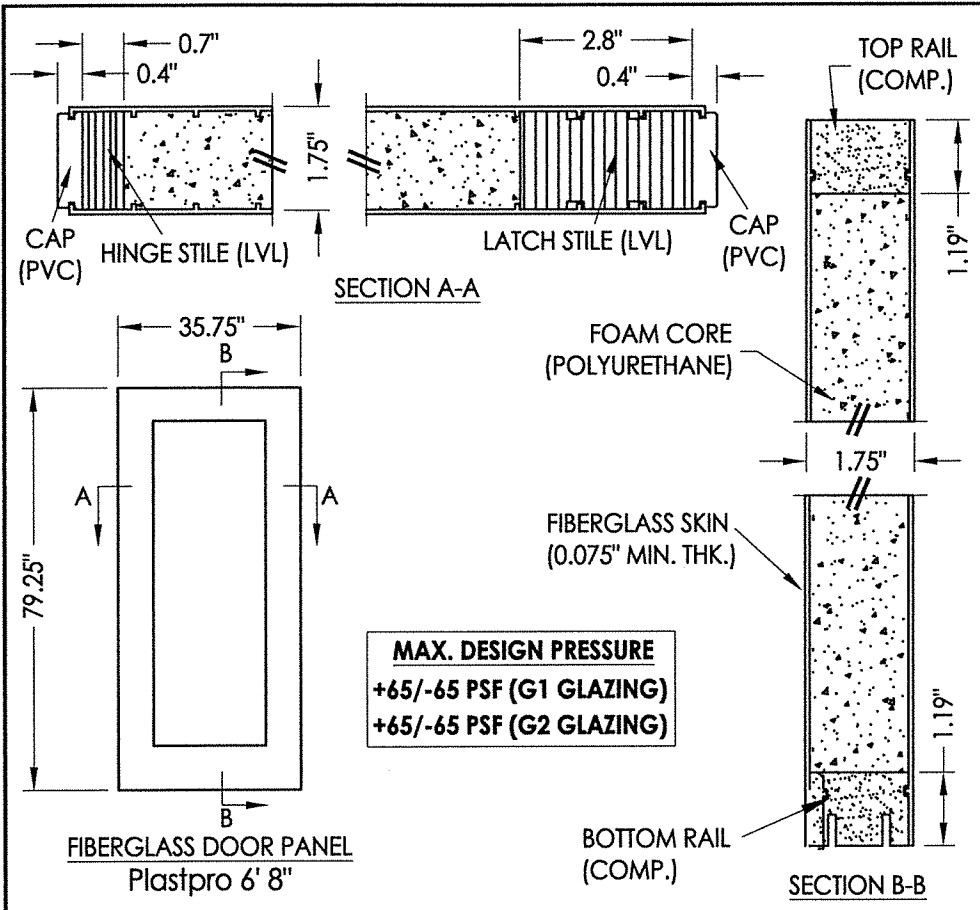
**G2** GLAZING DETAIL  
EVOLVE FRAME (1" DECOSEAL INSULATED GLASS)  
RESOLVE GASKET



August 07, 2020  
Documents Prepared By:  
Lyndon F. Schmidt  
P.E. No. 43409  
RW BUILDING CONSULTANTS, INC.  
P.O. Box 230, Valrico, FL 33595  
Phone No.: 813.659.9197  
FBPE Registry No. 9813

PRODUCT:	EVOLVE FRAME SYSTEM
PART OR ASSEMBLY:	FRAME & GLAZING DETAILS & BILL OF MATERIALS
DATE:	4/15/13
SCALE:	N.T.S.
DWG. BY:	JK
CHK. BY:	LFS
DRAWING NO.:	FL-15260.8
SHEET	2 OF 4

\\dc01\rbtc\Clients\ODL, Inc. PERMANENTVA - Florida Product Approvals\FL-15260 Exterior Door Components - Lite Frame Inserts\C - Drawings\FL 15260 (2020) R9\FL-15260.8.dwg



**STATE OF FLORIDA**  
**REGISTERED PROFESSIONAL ENGINEER**  
 F. SCHMIDT  
 LICENSE No. 43409

Documents Prepared By:  
 Lyndon F. Schmidt  
 P.E. No. 43409

August 07, 2020

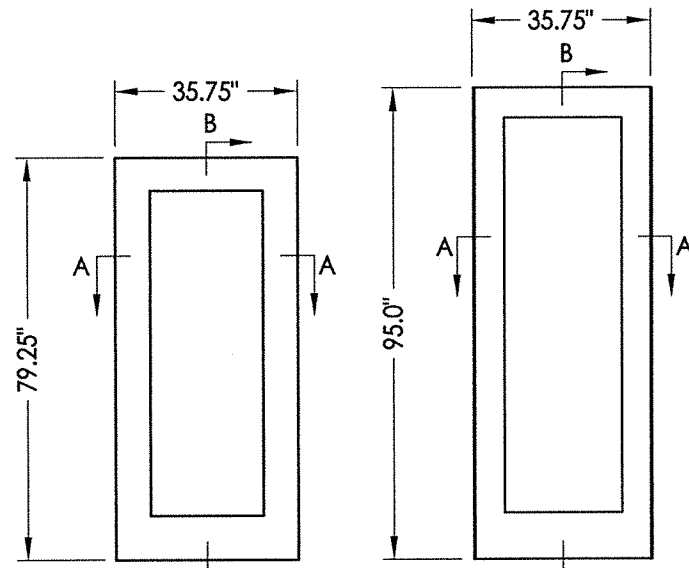
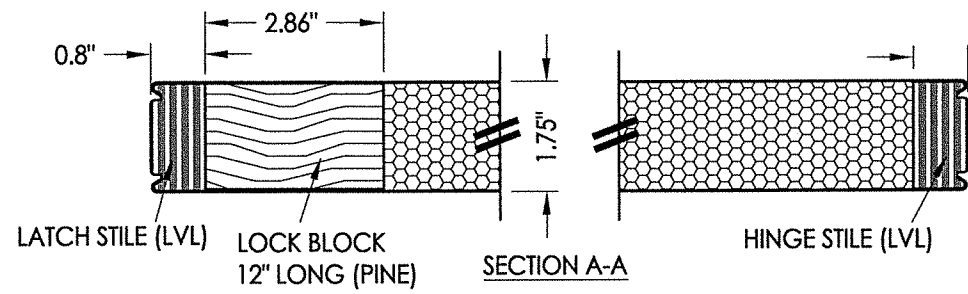
**R.W.**  
 BUILDING CONSULTANTS, INC.  
 P.O. Box 230, Valrico, FL 33595  
 Phone No.: 813.659.9197  
 FBPE Registry No. 9813

PRODUCT:		EVOLVE LITE FRAME SYSTEM	
PART OR ASSEMBLY:		FIBERGLASS DOOR PANELS	
NO.	DATE	REVISIONS	BY
5	8/05/20	UPDATE TO 7TH ED. (2020) FBC	DAC
4	4/04/19	UPDATE D.P. FOR NEW TESTING	LFS
3	10/03/18	ADD DOOR PANELS & GLAZING DET.	JFK
2	9/26/17	UPDATE TO 6TH ED. (2017) FBC	JK
1	3/28/15	UPDATE TO 5TH ED. (2014) FBC	JK

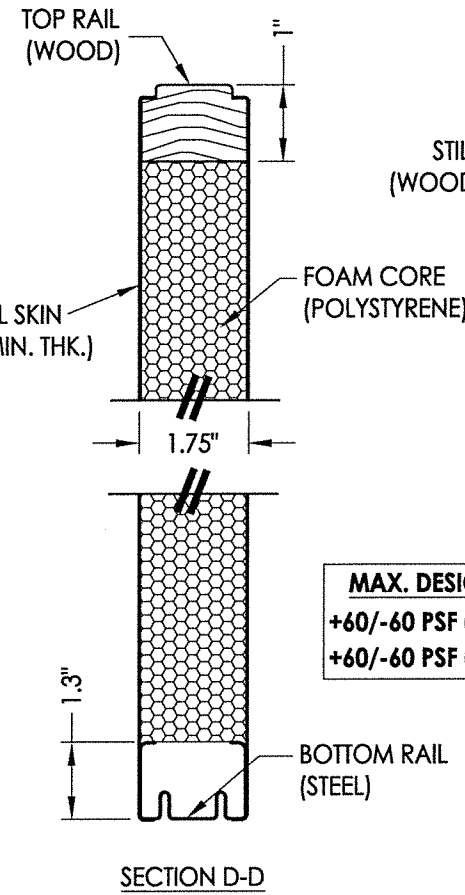
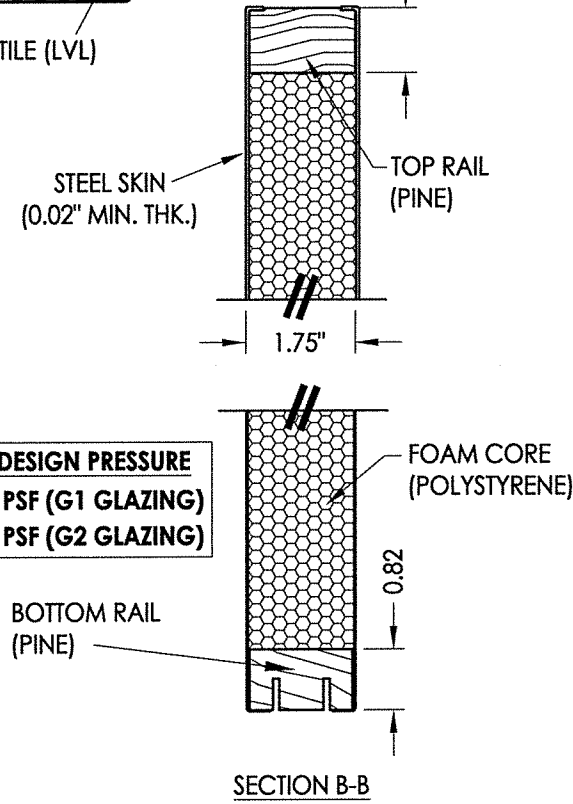
DATE: 4/15/13  
 SCALE: N.T.S.  
 DWG. BY: JK  
 CHK. BY: LFS  
 DRAWING NO.: FL-15260.8  
 SHEET 3 OF 4

© 2013 R.W. BUILDING CONSULTANTS INC.

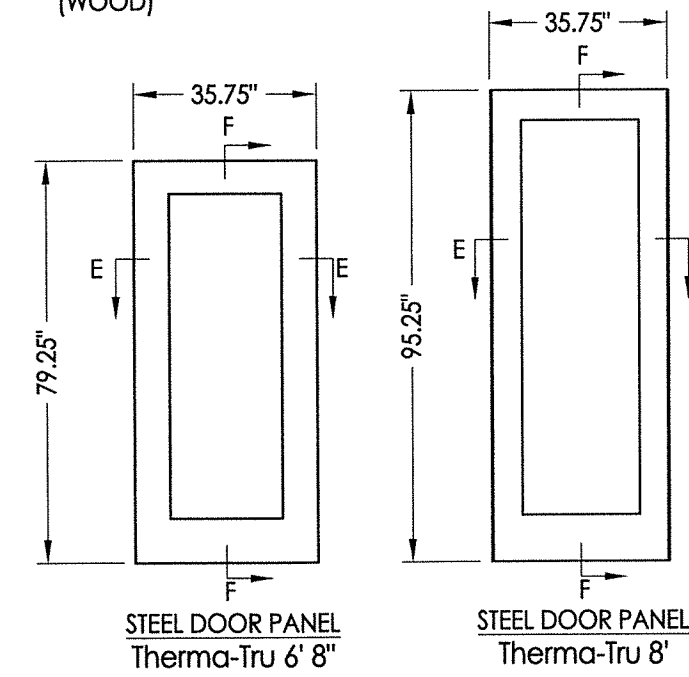
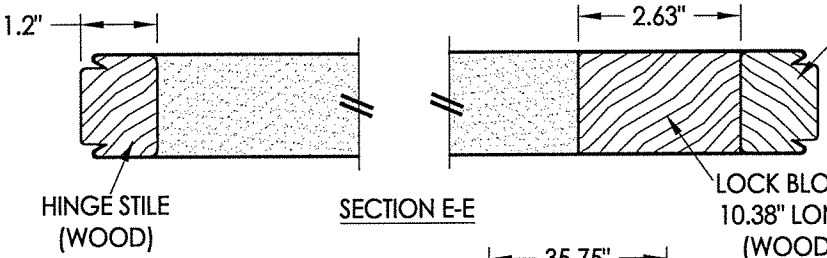
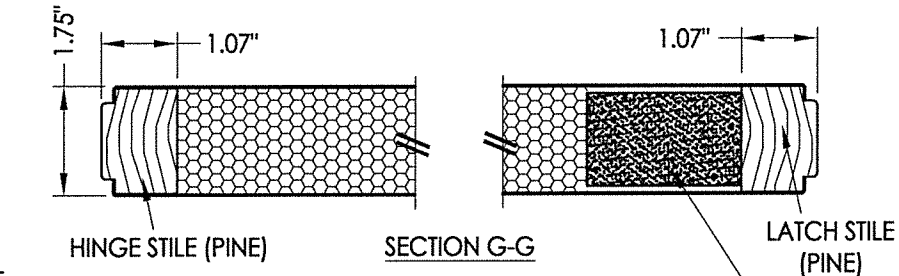
\\dc01\wbc\clients\ODL, Inc. PERMANENTVA - Florida Product Approvals\FL-15260 Exterior Door Components - Lite Frame Inserts\C - Drawings\FL 15260 (2020) R9\FL-15260.8.dwg



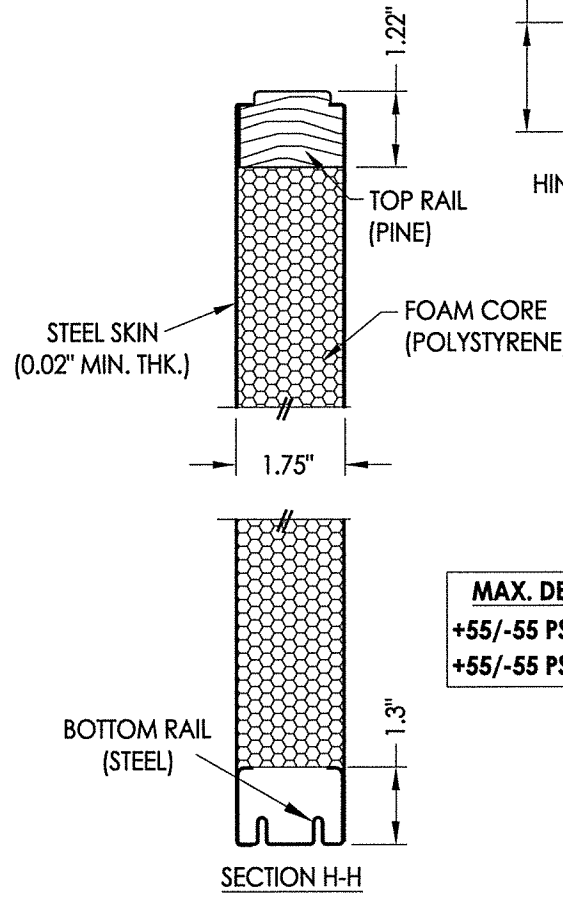
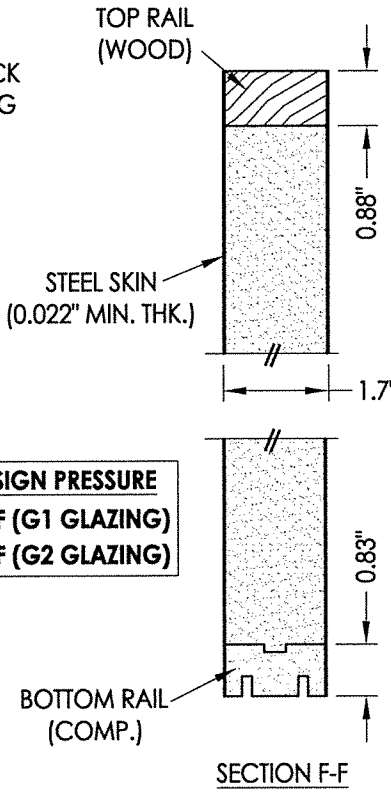
**MAX. DESIGN PRESSURE**  
 +60/-60 PSF (G1 GLAZING)  
 +60/-60 PSF (G2 GLAZING)



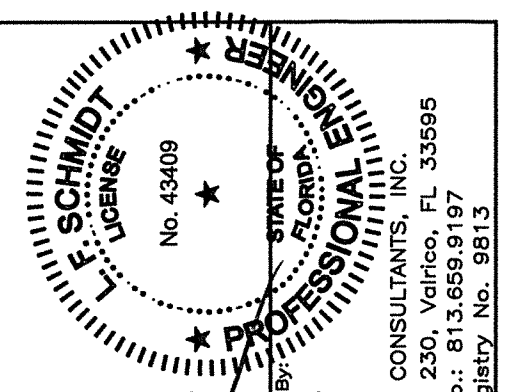
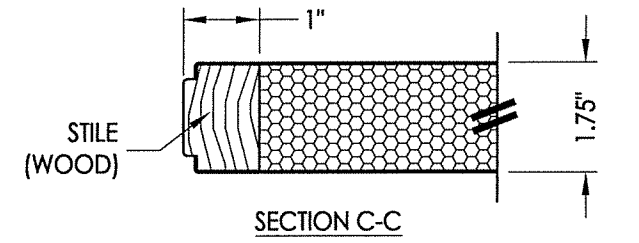
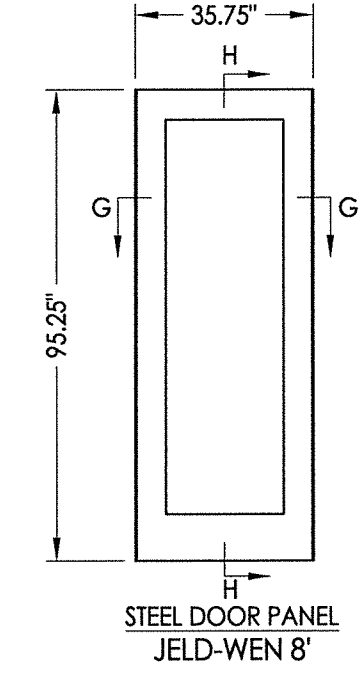
**MAX. DESIGN PRESSURE**  
 +60/-60 PSF (G1 GLAZING)  
 +60/-60 PSF (G2 GLAZING)



**MAX. DESIGN PRESSURE**  
 +60/-60 PSF (G1 GLAZING)  
 +60/-60 PSF (G2 GLAZING)



**MAX. DESIGN PRESSURE**  
 +55/-55 PSF (G1 GLAZING)  
 +55/-55 PSF (G2 GLAZING)



August 07, 2020  
 Documents Prepared By:  
 Lyndon F. Schmidt  
 P.E. No. 43409  
 R.W. BUILDING CONSULTANTS, INC.  
 P.O. Box 230, Valrico, FL 33595  
 Phone No.: 813.659.9197  
 FBPE Registry No. 9813

PRODUCT:		EVOLVE LITE FRAME SYSTEM	
PART OR ASSEMBLY:		STEEL DOOR PANELS	
NO.	DATE	BY	REVISIONS
5	8/05/20	DAC	UPDATE TO 7TH ED. (2020) FBC
4	4/04/19	LFS	UPDATE D.P. FOR NEW TESTING
3	10/03/18	LFS	ADD DOOR PANELS & GLAZING DET.
2	9/26/17	JK	UPDATE TO 6TH ED. (2017) FBC
1	3/28/15	JK	UPDATE TO 5TH ED. (2014) FBC
DATE: 4/15/13			
SCALE: N.T.S.			
DWG. BY: JK			
CHK. BY: LFS			
DRAWING NO.: FL-15260.8			
SHEET 4 OF 4			